

LOW EAVE (BASIC)

DB0010 - BASIC - WALL PANEL

DB0030 - BASIC - MASONRY WALL

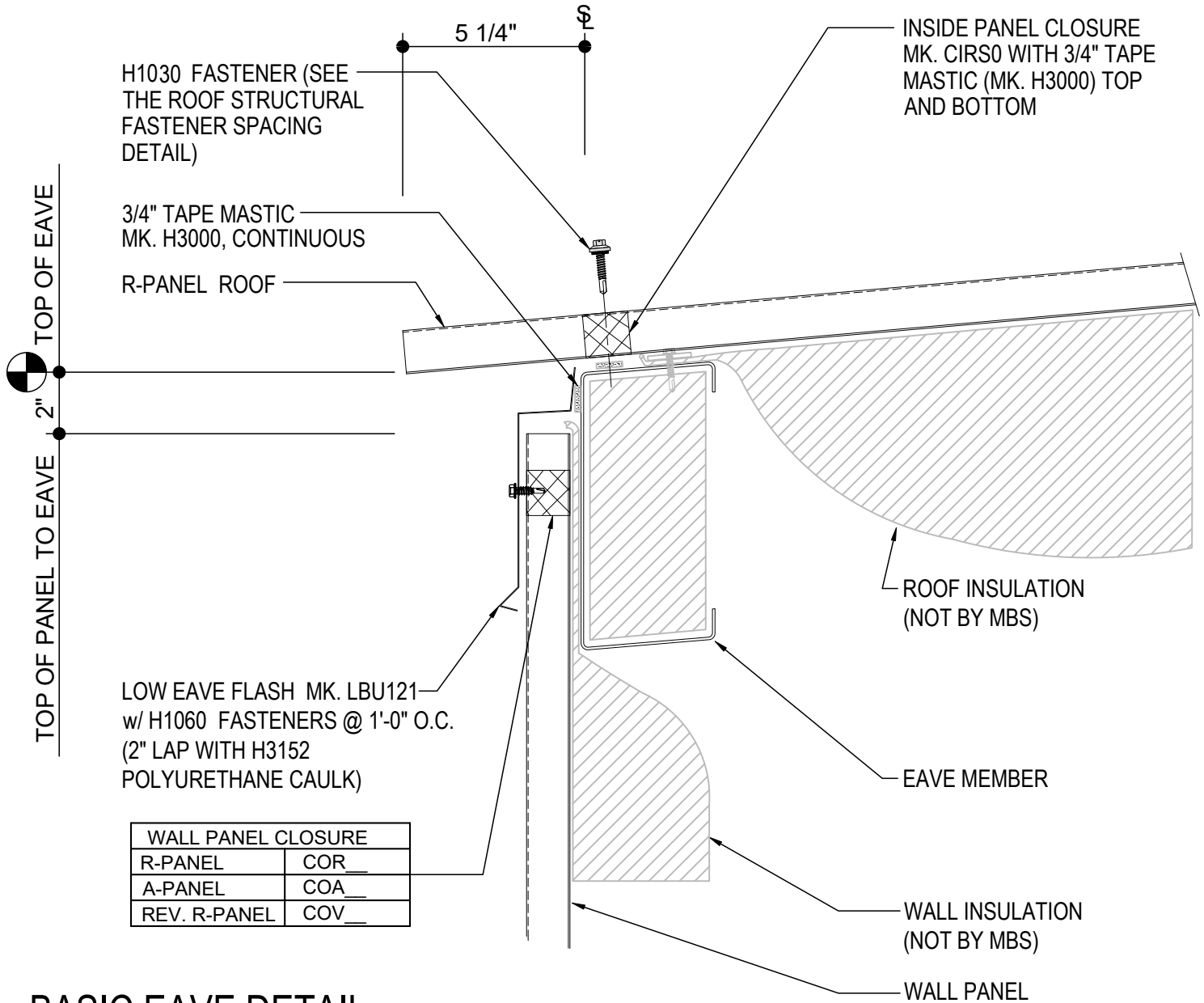
DB0050 - BASIC - NO WALL PANEL

DB0110 - INTERIOR AT UNINSULATED LEAN-TO

DB0210 - INTERIOR AT INSULATED LEAN-TO

DB0010 - BASIC - WALL PANEL

[Download the DWG file by clicking here.](#)



BASIC EAVE DETAIL

R-PANEL ROOF

SEE WALL SHEETING ERECTION NOTES
FOR WALL PANEL FASTENER LOCATIONS

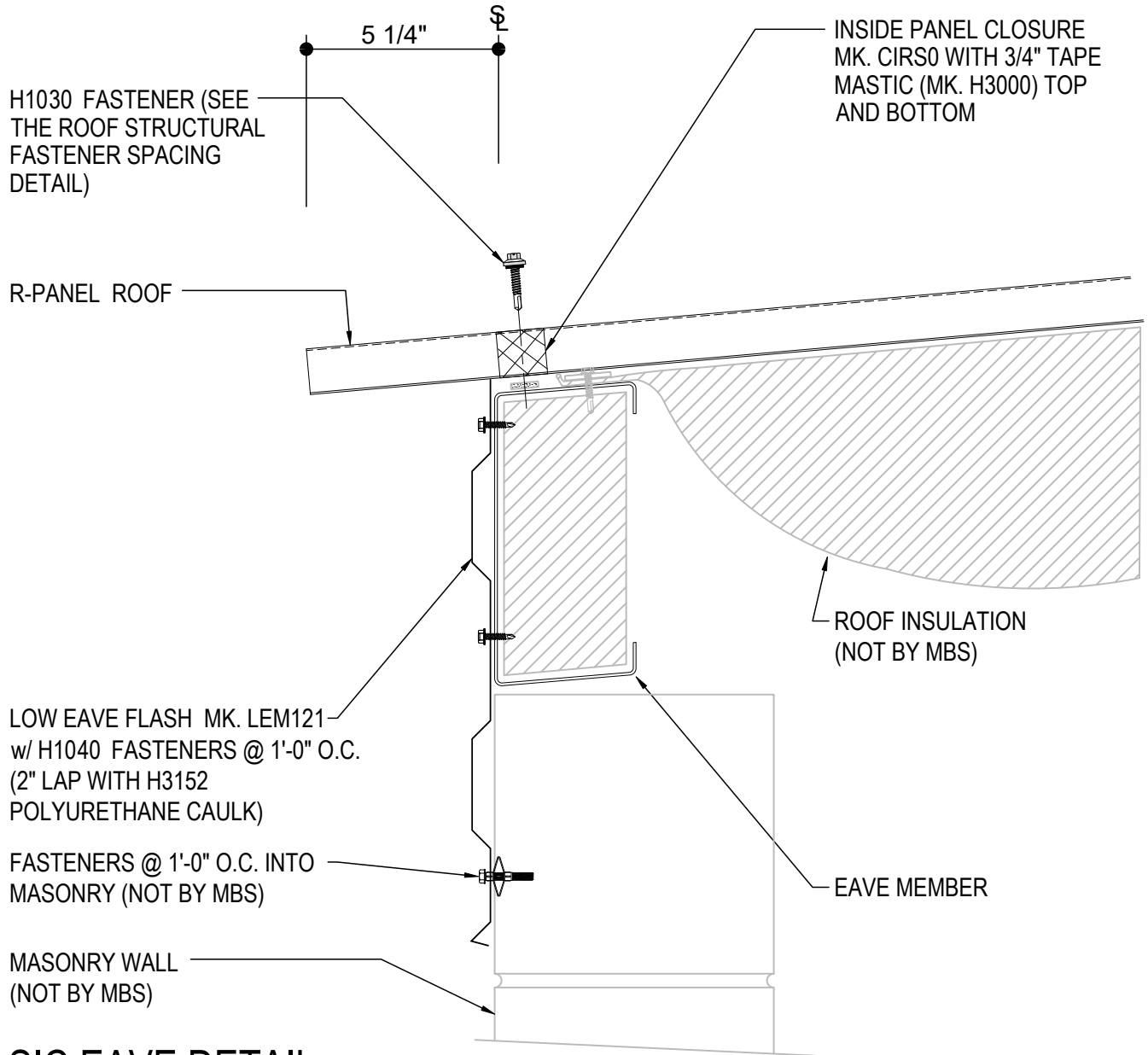
DB0010

Detailer Notes:

- 1) CLOSURES LOW EAVE LAYER DEFAULT IS ON. LAYER MUST BE TURNED OFF IF CLOSURES ARE NOT REQUIRED.

DB0030 - BASIC - MASONRY WALL

[Download the DWG file by clicking here.](#)



BASIC EAVE DETAIL

R-PANEL ROOF AT MASONRY WALL

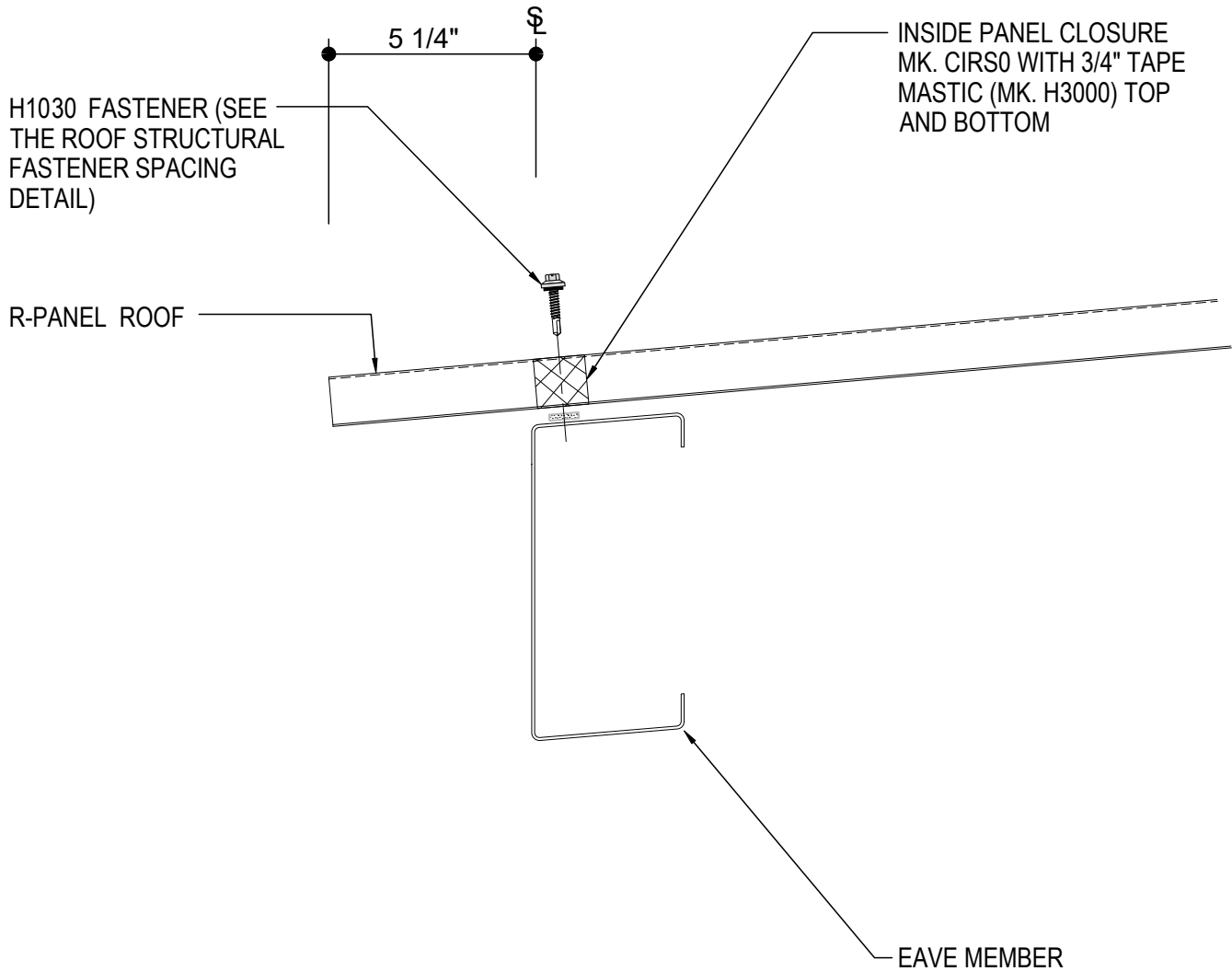
DB0030

Detailer Notes:

- 1) N/A

DB0050 - BASIC - NO WALL PANEL

[Download the DWG file by clicking here.](#)



BASIC EAVE DETAIL

R-PANEL ROOF WITHOUT WALL PANEL

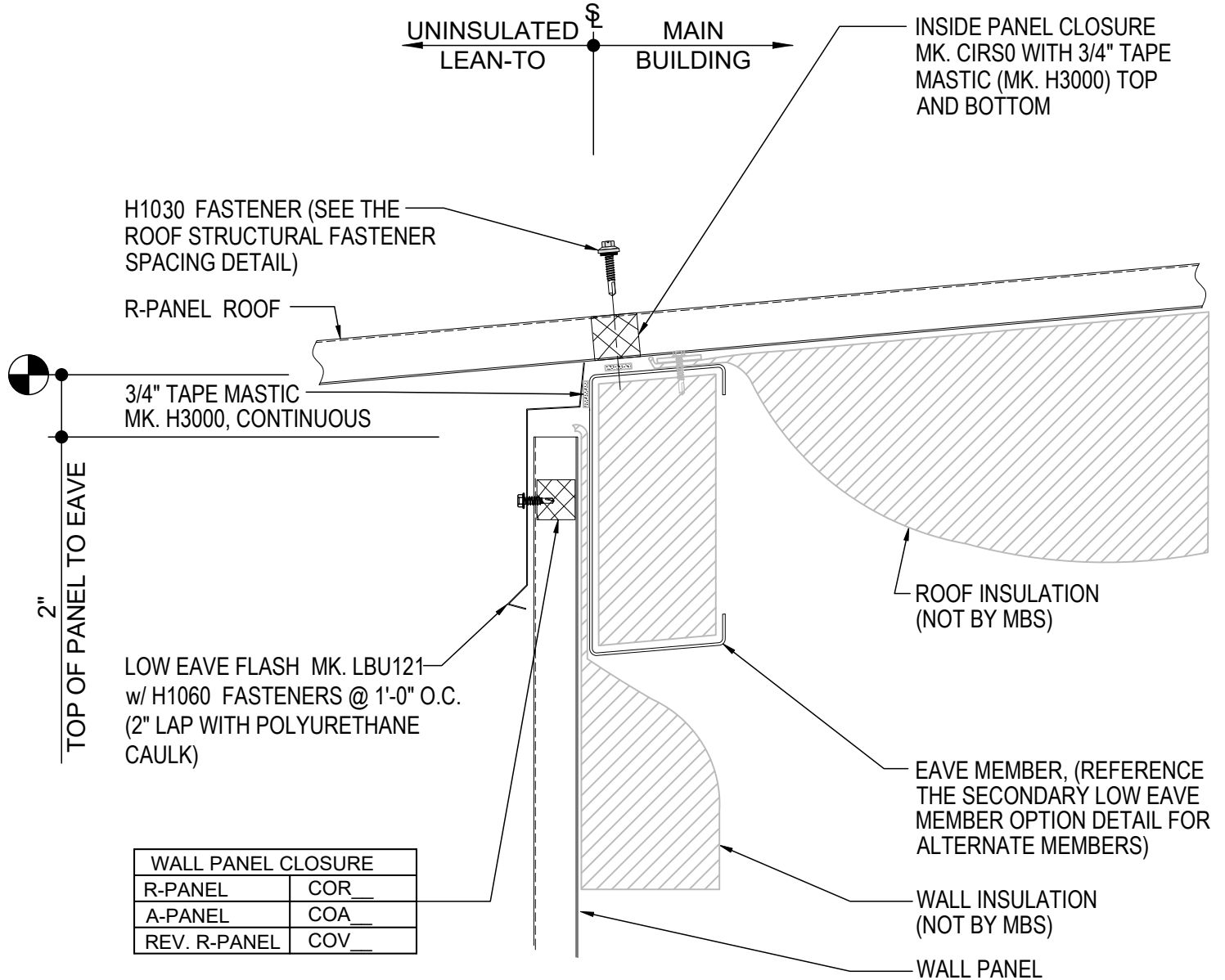
DB0050

Detailer Notes:

1) N/A

DB0110 - INTERIOR EAVE AT UNINSULATED LEAN-TO

[Download the DWG file by clicking here.](#)



INTERIOR EAVE DETAIL AT UNINSULATED LEAN-TO

OPEN LEAN-TO WITH R-Panel ROOF CONTINUOUS

SEE WALL SHEETING ERECTION NOTES FOR WALL PANEL FASTENER LOCATIONS

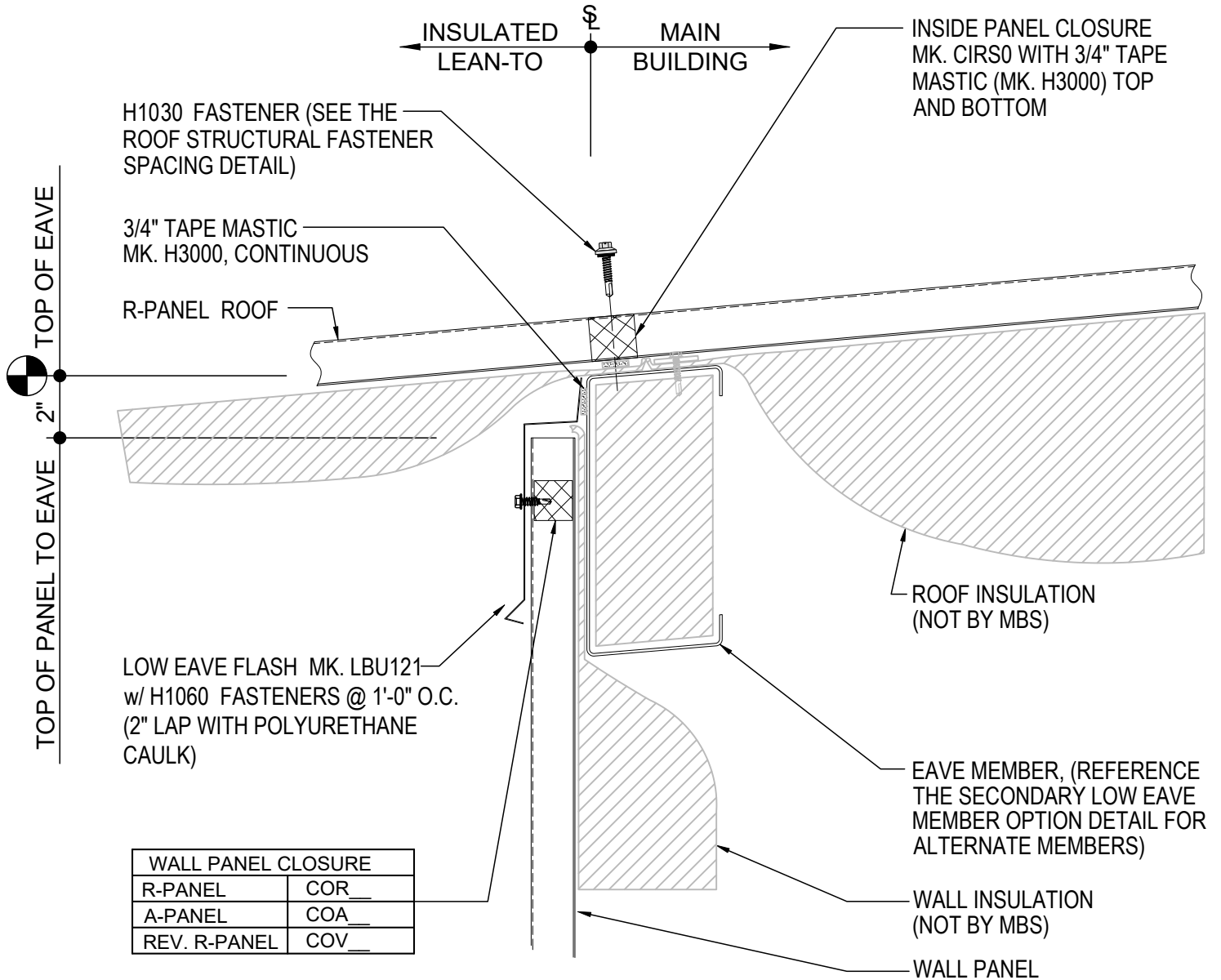
DB0110

Detailer Notes:

- 1) CLOSURES LOW EAVE LAYER DEFAULT IS ON. LAYER MUST BE TURNED OFF IF CLOSURES ARE NOT REQUIRED.

DB0210 - INTERIOR EAVE AT INSULATED LEAN-TO

[Download the DWG file by clicking here.](#)



INTERIOR EAVE DETAIL AT INSULATED LEAN-TO

OPEN LEAN-TO WITH R-Panel ROOF CONTINUOUS
SEE WALL SHEETING ERECTION NOTES FOR WALL PANEL FASTENER LOCATIONS

DB0210

Detailer Notes:

- 1) CLOSURES LOW EAVE LAYER DEFAULT IS ON. LAYER MUST BE TURNED OFF IF CLOSURES ARE NOT REQUIRED.